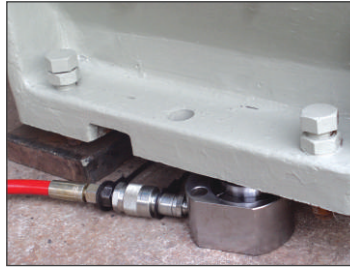


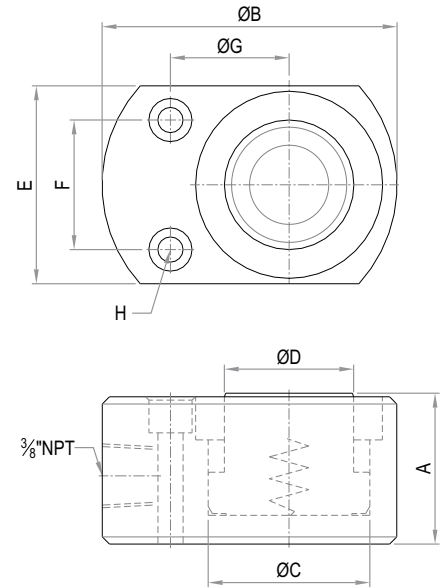
Flat Jacks - Plain Ram, Single Acting, Spring Return

Capacity 5 - 200 ton / Stroke 8 - 16 mm / Max. Working Pressure 700 bar



Features / Application

- Compact and flat design ideally suited where clearance is minimum for insertion of jack
- Mounting holes for easy fixturing
- Heavy equipment lifting, alignment and clamping



Note: OSF 5-8 has port 1/4\"NPT

Caution

Provide a level and solid support for entire jack base area & saddle top since the ram guide length is small.

Model	Mounting Hole Location (mm)		
	F	G	Thru Hole H
OSF 5-8	28	25	5.5
OSF 10-12	36	35	7
OSF 20-12	50	40	8.5
OSF 30-12	55	45	10.5
OSF 50-16	75	55	11
OSF 75-16	85	70	13
OSF 100-16	90	80	13
OSF 150-16	110	95	13
OSF 200-16	130	105	17

OSF Series - **O** Orione **S** Single acting **S** Spring return **F** Flat Jack **5** Capacity - ton **8** Stroke - mm

Capacity	Capacity	Stroke	Model	Effective area	Oil cap.	Closed height	Cylinder OD	Bore dia.	Ram dia.	A/F	Wt. (Approx.)
(ton)	(kN)	(mm)		(cm ²)	(cc)	A (mm)	B (mm)	C (mm)	D (mm)	E (mm)	(kg)
5	56	8	OSF 5-8	8.0	6	35	60	32	20	45	0.6
10	111	12	OSF 10-12	15.9	19	45	80	45	35	60	1.3
20	218	12	OSF 20-12	31.2	37	55	100	63	50	80	2.6
30	309	12	OSF 30-12	44.2	53	60	115	75	60	95	3.8
50	550	16	OSF 50-16	78.5	126	65	140	100	70	120	6.2
75	792	16	OSF 75-16	113.1	180	80	175	120	85	145	11.8
100	1077	16	OSF 100-16	153.9	247	85	190	140	100	165	15.1
150	1589	16	OSF 150-16	227.0	363	100	230	170	120	205	27
200	1985	16	OSF 200-16	283.5	454	115	265	190	140	230	40.7

- Higher capacity and customized solutions on request. ■ Specifications are subject to change due to continual improvement.
- Capacity and Stroke specified are maximum safe limits. As safe practice, use at 80% of rating.

CUSTOMISED SOLUTIONS

